

Features Monitouch V9

Read online: <http://monitouch.fujielectric.com/site/v9-e/v9-feature-01.html>

Zooming In and Out with Two Fingers **V9 Advanced**

The displayed image can be magnified up to 200% by pinching out the screen^{*2}, and reduced to the original size by pinching it in.



1. *2: The image can be scaled up and down by double tapping for V9 Standard/Lite.

Scrolling Magnified Images

You can view a particular part of a magnified image in close-up while scrolling around the screen.

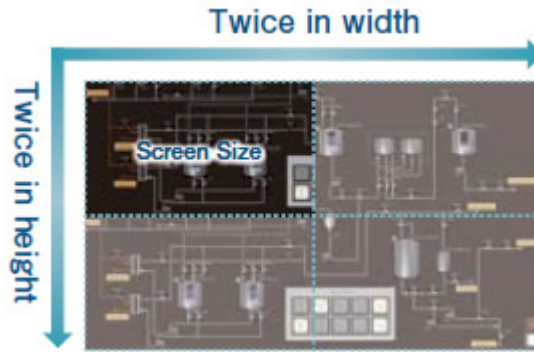


Abundant Quantity of Information

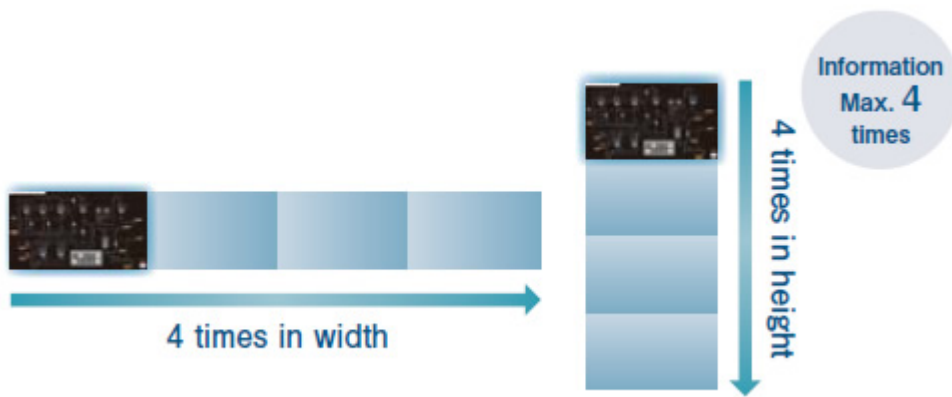
Displaying Four Times the Screen Size **First in industry**^{*3}

The whole area of a large image can be confirmed easily by scrolling the screen without the need of switching it.

The navigation window helps you to recognize the current displayed position instantly.



Images can be laid out four times the screen size in height or width according to your needs.



1. *3: According to our own research.

Widescreen LCD V9 Advanced

V9 Advanced models is equipped with a high-precision, high-resolution widescreen (16:9). Greater volume and variety of information can be displayed on the screen.



TrueType Fonts for Clear Expression

TrueType fonts have been added, and the new anti-aliasing function ensures clear expression. There is no need to worry about memory capacity, because TrueType fonts need less memory compared with Windows fonts.



7-segment Fonts for Realistic Expression

7-segment fonts allow for realistic, highly visible expression of measuring instruments.



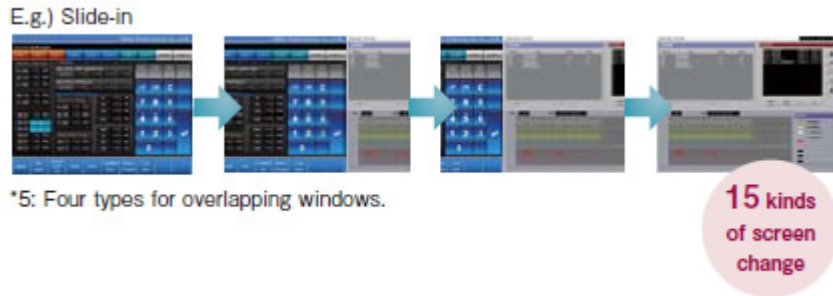
Beautiful and Practical Icons

The number of optional icons has been more beautiful and easy-to-understand. The icons are PNG files, so there is no worry about the display capacity.



Versatile Screen Transition Functions

15 kinds⁵ of functions are available for screen switching and overlapping.



1. *5: Four types for overlapping windows.

VNC Server Function

Remote Connection from Tablet PCs

All types of the V9 series are equipped with VNC server function for remote monitoring and control of production from your tablet PC.



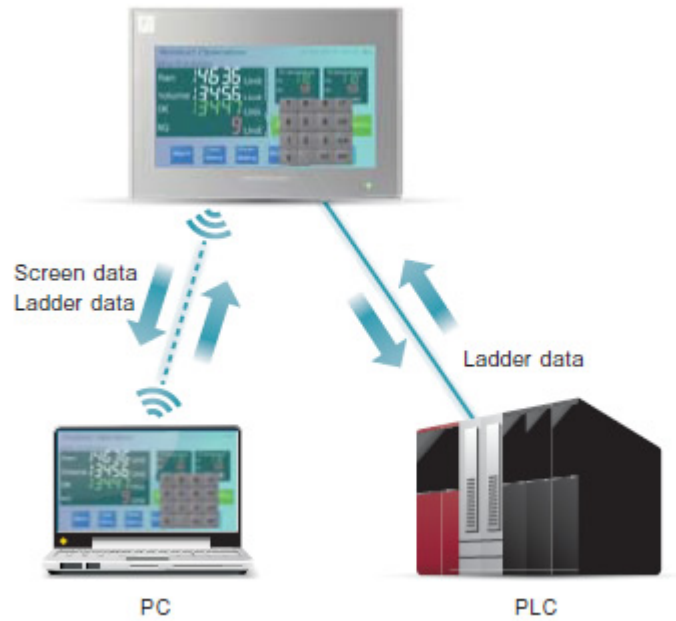
Direct communication with your tablet PC **V9 Advanced**

V9 Advanced model incorporates an access point, which enables direct communication with a wireless device without an external access terminal.



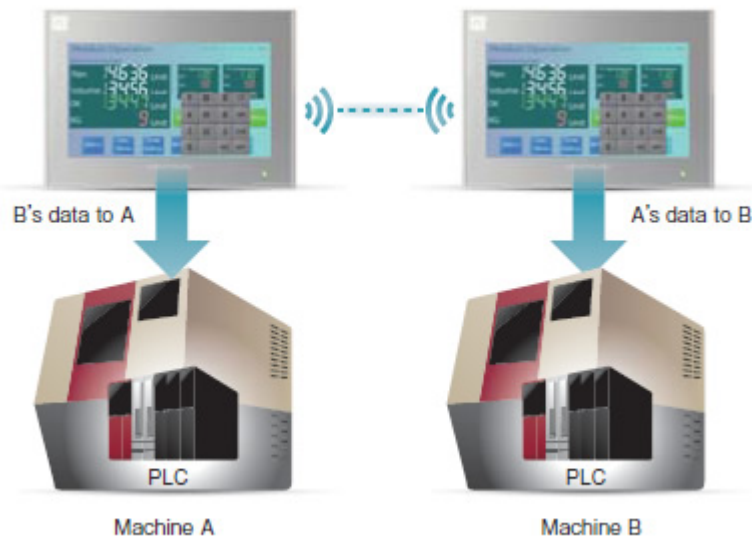
Wireless Data Transfer

By connecting a PC to a V9 via wireless LAN, screen data can be shared and ladder programs transferred to the PLC. With no need to physically connect the units, it is easy to debug programs on site.



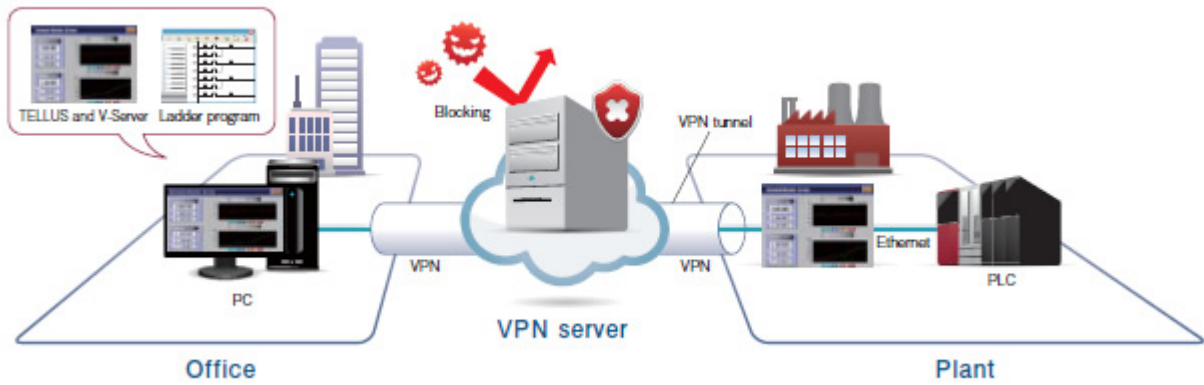
Data Transfer via V9 Panels

Production data can be transferred between machines using V9 panels as a gateway.



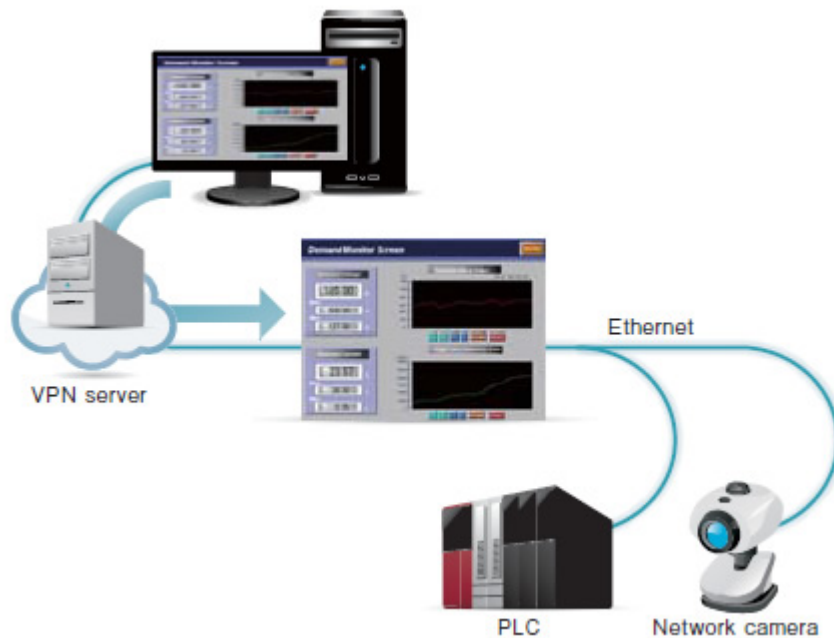
Secure, Easy and Low-cost Communication by VPN Function

The VPN function, which constructs a virtual private network within a public network, enables secure remote monitoring at low cost.



Router Function for Remote Connection*1 **V9 Advanced**

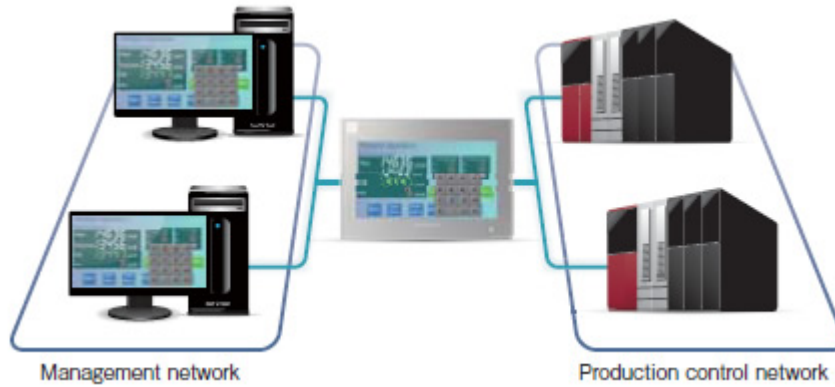
The routing function enables remote connection to any devices connected with a V9 via Ethernet.



1.*1: Only LAN port of 2CH.

LAN Ports Connecting to Two Networks*2

Two networks can be connected via a V9 as a gateway.



1. *2: Other models except for advanced models need an optional communication unit. Please contact us for details.

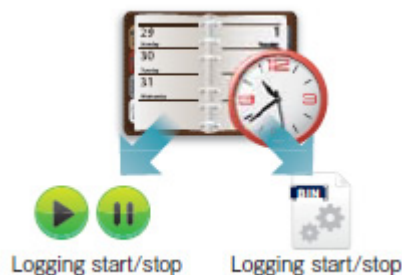
Backup Data Display

Backup files can be loaded and displayed on V9. Alarm backup data can also be displayed.



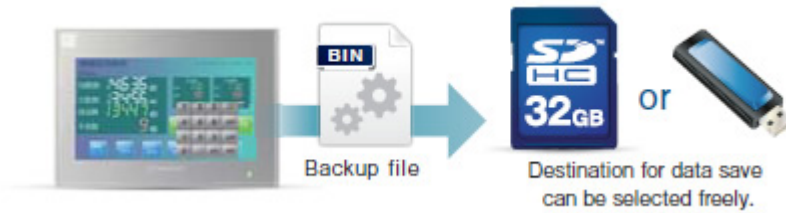
Coordination with the Scheduler

Operations such as bit output and execution of macro programs can be scheduled on a specific date and time. Also, start and stop of logging, and data saving can be conducted by setting the logging conditions.



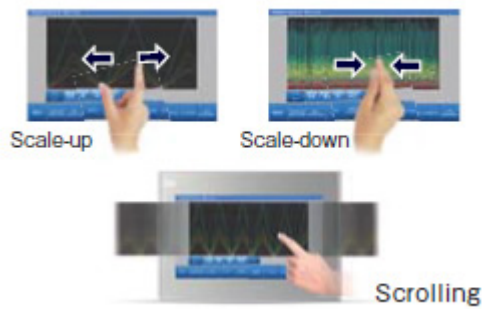
Easy Creation of Backup Files

By using the scheduler, backup files are automatically created at scheduled timings.



Magnification of Trend Graph Scale

The time scale of trend graph can be magnified, and the display can be scrolled by touch and drag.



Scrolling of the Alarm Messages

The entire alarm message can be displayed by scrolling the screen with touch and drag.



Scrolling the alarm messages

Running Emergency Messages

Alarm messages run automatically at a specified position when alarms are occurred.

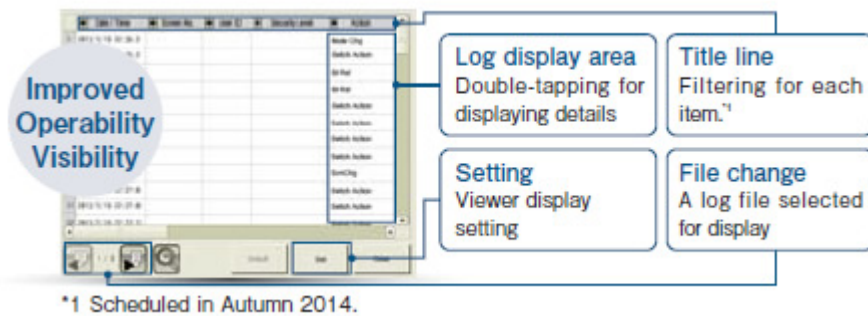


Convenient tools for scrolling



Improved Operation Log Viewer

The operability and visibility of the log viewer have been improved.



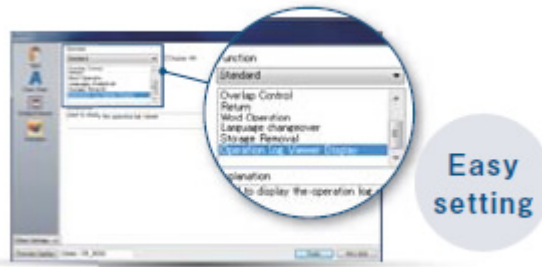
Search Function

Operation log can be searched for by specifying an operator or date and time.



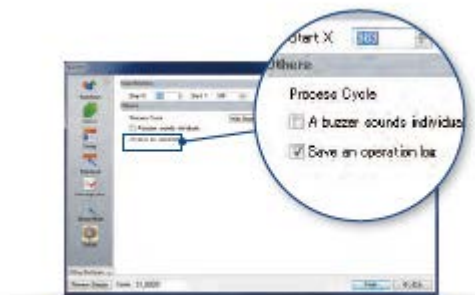
Log Viewer as Standard Specification

The log viewer is simply accessed by selecting it from the drop-down menu. There is no need to create a new display area.



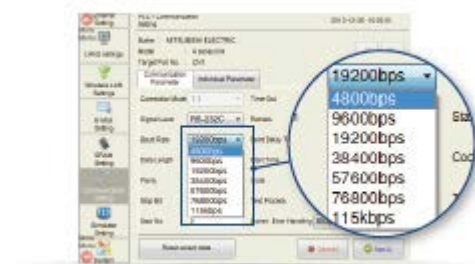
Setting by Item

Operation log creation is set for individual switch and input.



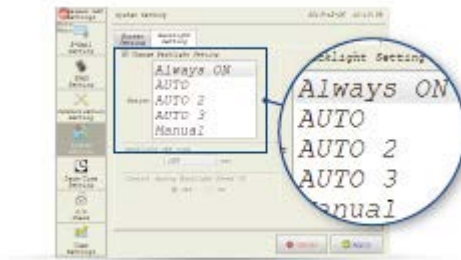
Easy Monitoring and Setting of Communication, Backlight and Buzzer

Communication with other devices is set on a V9.



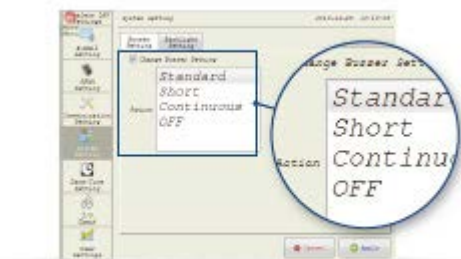
Communication setting

Backlight operation is set on a V9.



Backlight setting

Buzzer operation is set on a V9.

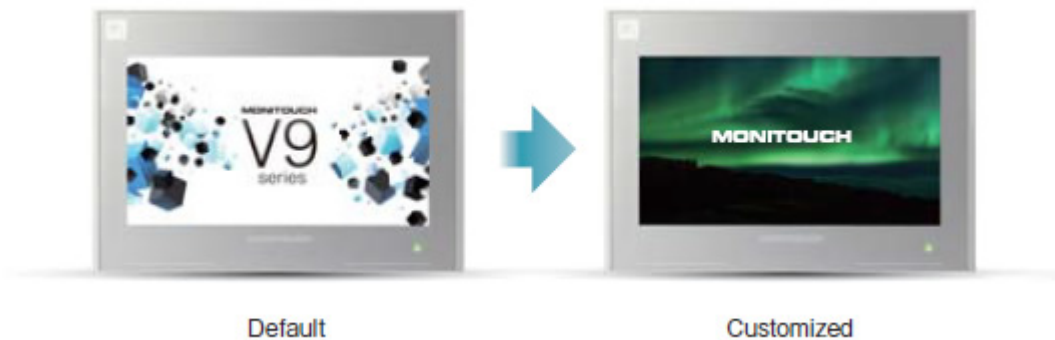


Buzzer setting

1. *2: The contents of local windows are subject to change.

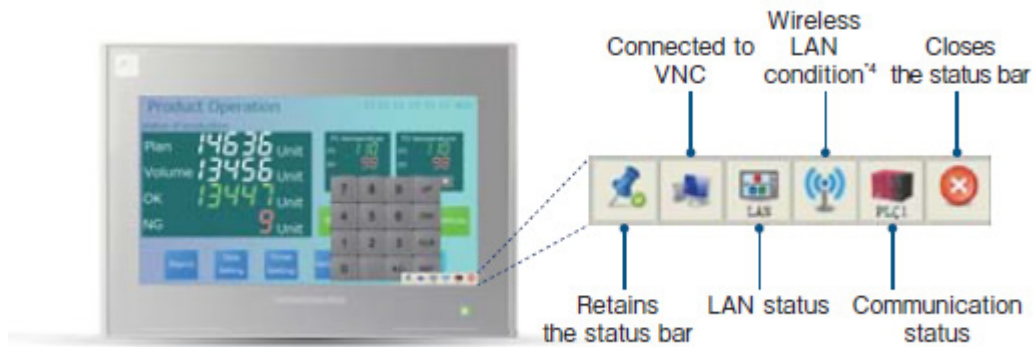
Customization of the Splash Screen

The splash screen displayed during operation can be customized freely.



Display of V9 Status

The status of V9 is displayed in the status bar. *3



1.*3: Items in the status bar may be added or changed.

Easy-to-see Error Indication

Indication of a communication error

When Communication Error Handling is set to “Disconnected”, the item with an error is indicated with an error icon at the top right.



Improvement of error messages

An error is described in a sentence for easy comprehension.



System Keyboard Available

A versatile keyboard for inputting upper and lower case letters and numbers is available for easy setting. Select the system keyboard from the set menu.



Easy
Convenient



Optional Units

Extension Units

- **GUR-00 (Video input 4ch)**
Displays images from video cameras on V9 directly.
- **GUR-01 (RGB input 1ch)**
Displays RGB input on V9.
- **GUR-02 (RGB output 1ch)**
Displays images of V9 on a monitor.
- **GUR-04 (Video input 1ch)**
Displays images from a video camera directly.
- **GUR-10 (Video input 2ch + RGB input 1ch)**
Displays images from video camera and RGB input on V9 simultaneously.
- **GUR-11 (RGB input 2ch)**
Displays RGB images such as PC images through two channels on V9 simultaneously.
- **DUR-00 (Optional unit for the V907xiW/V9060iTD)**
Support D-sub 9-pin connectors.

Communication Units

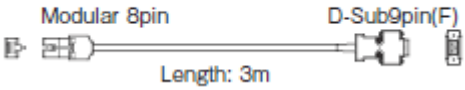
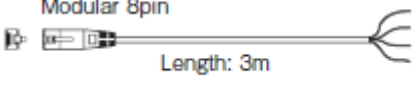
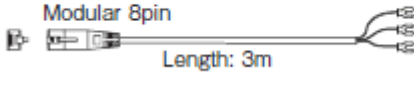
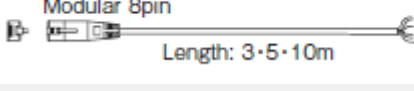
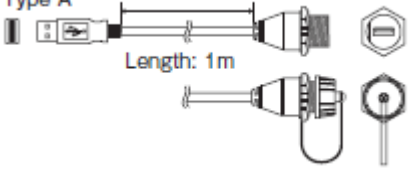
CUR-00	OPCN-1
CUR-01	T-Link
CUR-02	CC-Link
CUR-03	Ethernet
CUR-04	PROFIBUS-DP
CUR-06	SX BUS
CUR-07	DeviceNet
CUR-08	FL-net
CUR-09	EtherCAT

Configuration software

V-SFT-6 (Ver.6)

Windows XP/ XP64 Edition/ Vista (32bit, 64bit)/ 7(32bit, 64bit)/ 8(32bit, 64bit)/ 8.1(32bit, 64bit)/ 10(32bit, 64bit)

Cables

Type	Configuration	Connected to
V-CP	<p>RS-232C</p>  <p>Modular 8pin</p> <p>D-Sub9pin(F)</p> <p>Length: 3m</p>	PC
V6-BCD	<p>RS-232C</p>  <p>Modular 8pin</p> <p>Length: 3m</p>	Bar code reader
V6-MLT	<p>RS-485</p>  <p>Modular 8pin</p> <p>Length: 3m</p>	MONITOUCH V9/V8/V7/V6
V6-TMP	<p>RS-232C/485</p>  <p>Modular 8pin</p> <p>Length: 3-5-10m</p>	Temperature controller, inverter, etc.
UA-FR	<p>Type A</p>  <p>Length: 1m</p>	Card reader/ writer, USB memory, etc.

Other Units



TC-D9 (Terminal converter)

Connects V9 with other units via RS-422/485 terminal.



V9-BT

A replacement lithium battery for V9 series.



V9xxx-GS/V9xxx-GSN10

Protection sheets for panels (5 sheets per set).
N10 is a non-glare type sheet.



D9-D25

Replacement cable for CN1 cable of V6/V7 series.



Panel adapter (PAD-Vxxx)

Used when fitting V9 into V4/GD-80/GD-65/GD-64 panel cutout.
Contact our technical helpdesk for details.



V9-ANT

Antenna for V9 models compatible with wireless LAN.