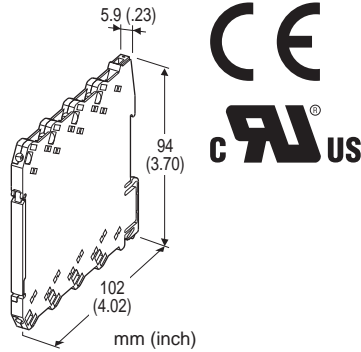


Euro Terminal Ultra-Slim Signal Conditioners M6D Series

INPUT LOOP POWERED ISOLATOR

Functions & Features

- 5.9-mm wide ultra-slim design
- Low profile allows the M6D module mounted in a 120-mm deep panel
- Loop-powered design eliminates output loop power supply
- Two isolators housed in one enclosure
- High-density mounting



MODEL: M6DSN-[1]DD[2]

ORDERING INFORMATION

- Code number: M6DSN-[1]DD[2]
Specify a code from below for each [1] and [2].
(e.g. M6DSN-2DD/Q)
- Specify the specification for option code /Q
(e.g. /C01)

[1] NO. OF CHANNELS

- 1: 1 channel
- 2: 2 channels

INPUT

Current

D: 0 - 20 mA DC (4 - 20 mA DC)

OUTPUT

Current

D: 0 - 20 mA DC (4 - 20 mA DC)

[2] OPTIONS

Standards & Approvals

blank: CE marking
/UL: UL approval, CE marking

Other Options

blank: none
/Q: Option other than the above (specify the specification)

SPECIFICATIONS OF OPTION: Q

COATING (For the detail, refer to M-System's web site.)

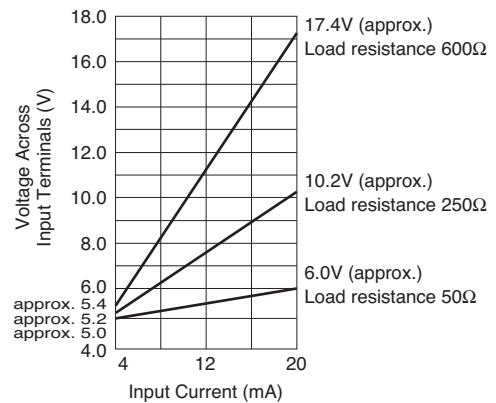
/C01: Silicone coating
/C02: Polyurethane coating

GENERAL SPECIFICATIONS

Connection: Euro terminal (torque 0.3 N·m)
Applicable wire size: 0.2 to 2.5 mm², stripped length 8 mm
Housing material: Flame-resistant resin (black)
Isolation: Input to output; between channels
Span adjustments: ±0.5 % (front)

INPUT & OUTPUT

Equivalent input impedance: 250 Ω plus load resistance with 20 mA input
Operational range: 0.05 - 40 mA DC (Accuracy is assured within 0.05 - 22 mA)
Minimum operating current: 0.05 mA
Load resistance: 0 - 600 Ω



INSTALLATION

Operating temperature: -20 to +55°C (-4 to +131°F)
Operating humidity: 30 to 90 %RH (non-condensing)
Mounting: Installation Base (model: M6DBS) or DIN rail
Weight: 60 g (2.1 oz)

PERFORMANCE in percentage of span

Accuracy: ±0.1 %
Temp. coefficient: ±0.015 %/°C (±0.008 %/°F)
Response time: Approx. 20 msec. (0 - 90 %)
Load effect: (factory-calibrated with 250 Ω load)
0.004%/Ω (0 - 600 Ω)
Insulation resistance: ≥ 100 MΩ with 500 V DC

Fuji Electric France S.A.S.

46, Rue Georges Besse - Z I du Brézet - 63 039 Clermont-Ferrand cedex 2 FRANCE
France : Tél. 04 73 98 26 98 - Fax 04 73 98 26 99 - International : Tél. (33) 4 7398 2698 - Fax. (33) 4 7398 2699
E-mail : sales.dpt@fujielectric.fr – WEB : www.fujielectric.fr

Dielectric strength:

1500 V AC @1 minute (input to output)

2000 V AC @1 minute (between channels)

2000 V AC @1 minute (input or output to ground)

STANDARDS & APPROVALS**EU conformity:**

EMC Directive

EMI EN 61000-6-4

EMS EN 61000-6-2

RoHS Directive

EN 50581

Approval:

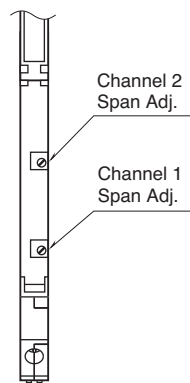
UL/C-UL nonincendive Class I, Division 2,

Groups A, B, C, and D hazardous locations

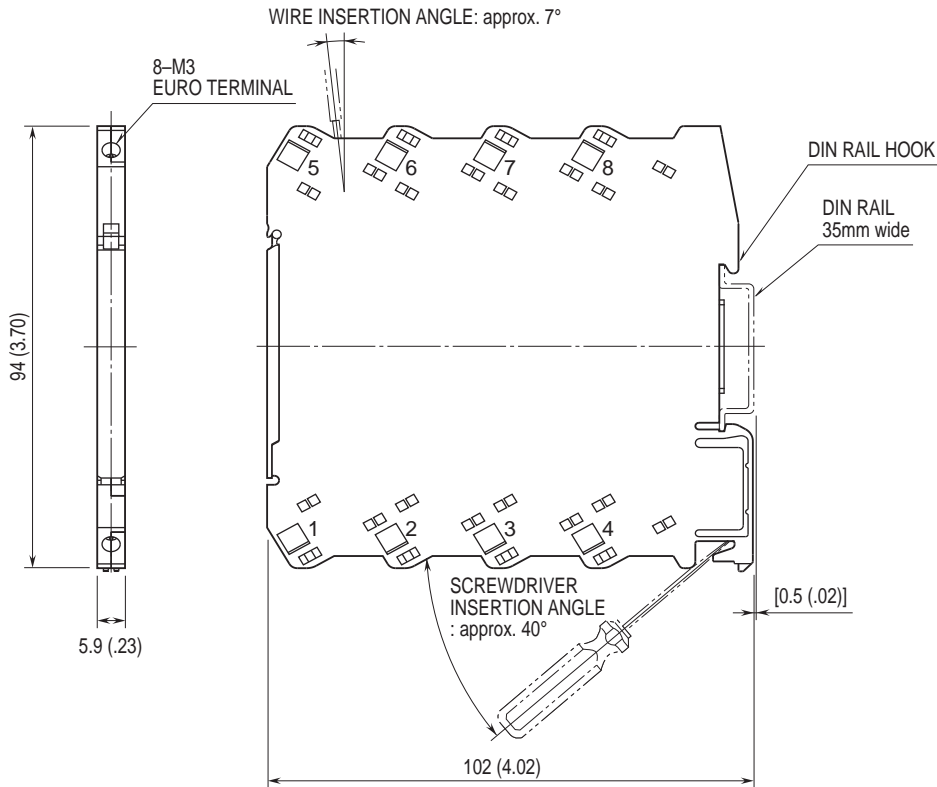
(ANSI/ISA-12.12.01, CAN/CSA-C22.2 No.213)

UL/C-UL general safety requirements

(UL 61010-1, CAN/CSA-C22.2 No.61010-1)

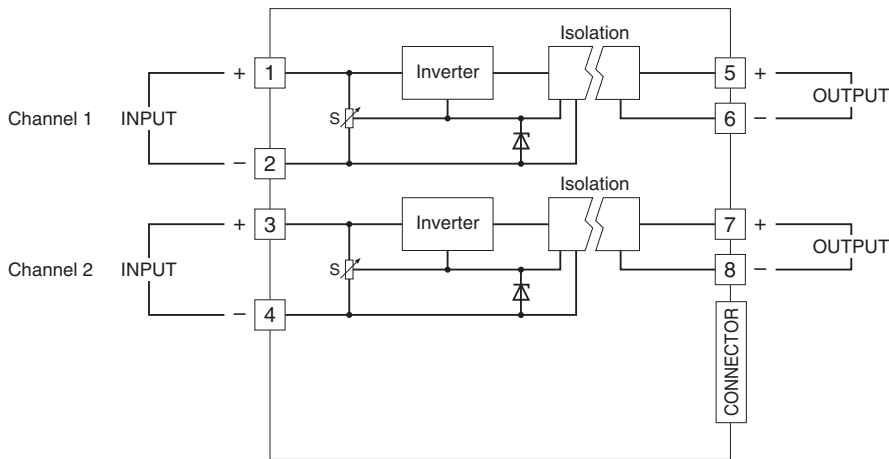
EXTERNAL VIEW**(With the cover open)**

DIMENSIONS unit: mm (inch)



• When mounting, no extra space is needed between units.

SCHEMATIC CIRCUITRY & CONNECTION DIAGRAM



Specifications are subject to change without notice.