

INSTRUCTION MANUAL

**4-DIGIT LOOP POWERED INDICATOR
(intrinsically safe)**

MODEL **FXE/FXEI**

BEFORE USE

Thank you very much for your purchase of the Fuji FXE Loop Powered Indicator. Before use, please check contents of the package you received as outlined below.

If you have any problems or questions with the product, please contact Fuji's Sales Office or representatives.

■ PACKAGE INCLUDES:

- Loop Powered Indicator (1)
- Unit label (1) sheet

■ MODEL NO.

Confirm that the model number described on the product is exactly what you ordered.

■ INSTRUCTION MANUAL

This manual describes necessary points of caution when you use this product, including installation, connection and basic maintenance procedures.

When using this product in potentially explosive atmosphere or hazardous (classified) location, you have to follow the safety procedure to install it. Please refer to "SAFE INSTALLATION MANUAL" for each type of certification.

POINTS OF CAUTION

■ CONFORMITY WITH EC DIRECTIVES

- The equipment must be installed such that appropriate clearance and creepage distances are maintained to conform to CE requirements. Failure to observe these requirements may invalidate the CE conformance.

■ GENERAL PRECAUTIONS

- Before you remove the module, turn off the input signal for safety.

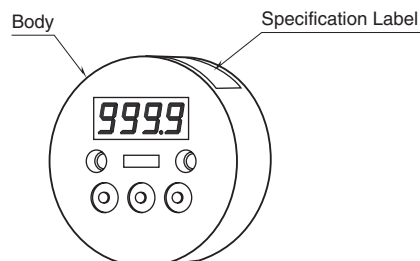
■ ENVIRONMENT

- Indoor use
- When heavy dust or metal particles are present in the air, install the unit inside the Outdoor Enclosure (model 6BX-E) provided separately.
- Environmental (non-hazardous location) temperature must be within -40 to +85°C (-40 to +185°F) in order to ensure adequate life span and operation.
- For installing the FXE in an environment with a high relative humidity exceeding 0 to 95% RH or in a condensing atmosphere, install the unit inside the Outdoor Enclosure provided separately.
- Do not install the unit where it is subjected to continuous vibration. Do not subject the unit to physical impact.
- For use in a hazardous location, be sure that the environmental temperature is within the temperature class required for the area.

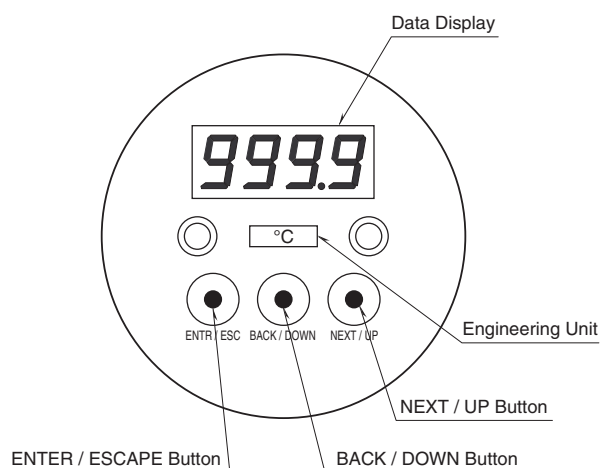
■ WIRING

- Do not install cables close to noise sources (relay drive cable, high frequency line, etc.).
- Do not bind these cables together with those in which noises are present. Do not install them in the same duct.

COMPONENT IDENTIFICATION



TOP VIEW



ENTER / ESCAPE Button

ENTER: Used to call up the program menu and to apply parameter changes. Press for longer than 2 seconds.

ESCAPE: Used to cancel menu selections and to cancel parameter changes. Push for a brief period.

BACK / DOWN Button: Used to select a menu item or to decrease parameter values.

NEXT / UP Button: Used to select a menu item or to increase parameter values.

• How to Reset All Parameters to the Factory Setting

Turn off the power supply to the module. In pressing all the three control buttons at once, turn it on. When a message appears on the data display, press ENTER. If you want to cancel the procedure, turn the power supply off.

■ AND

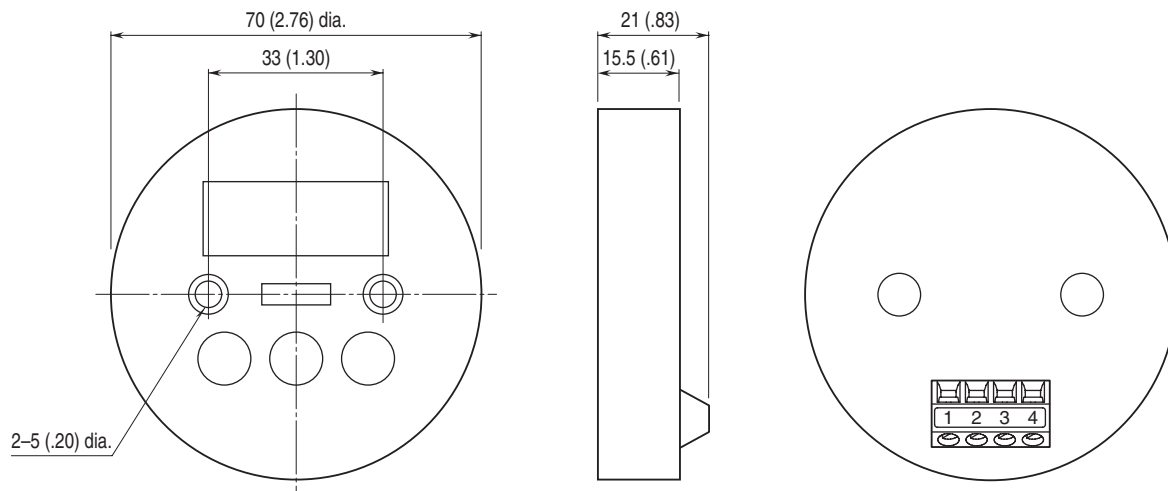
- The module is designed to function as soon as power is supplied, however, a warm up for 10 minutes is required for satisfying complete performance described in the data sheet.

Fuji Electric France S.A.S.

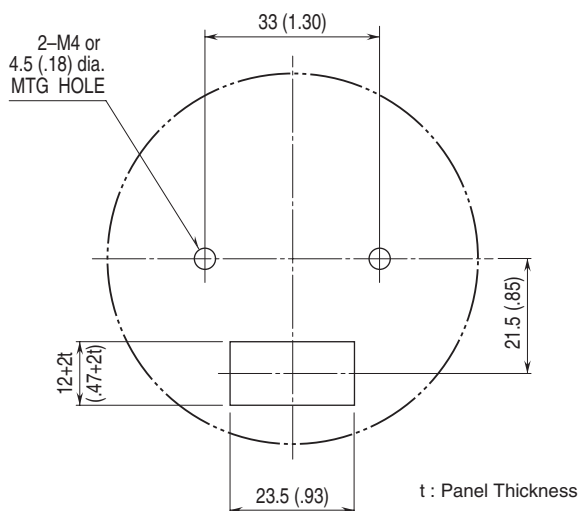
46, Rue Georges Besse - Z I du Brézet - 63 039 Clermont-Ferrand cedex 2 FRANCE
 France : Tél. 04 73 98 26 98 - Fax 04 73 98 26 99 - International : Tél. (33) 4 7398 2698 - Fax. (33) 4 7398 2699
 E-mail : sales.dpt@fujielectric.fr – WEB : www.fujielectric.fr

TERMINAL CONNECTION

EXTERNAL DIMENSIONS & TERMINAL ASSIGNMENTS unit: mm (inch)

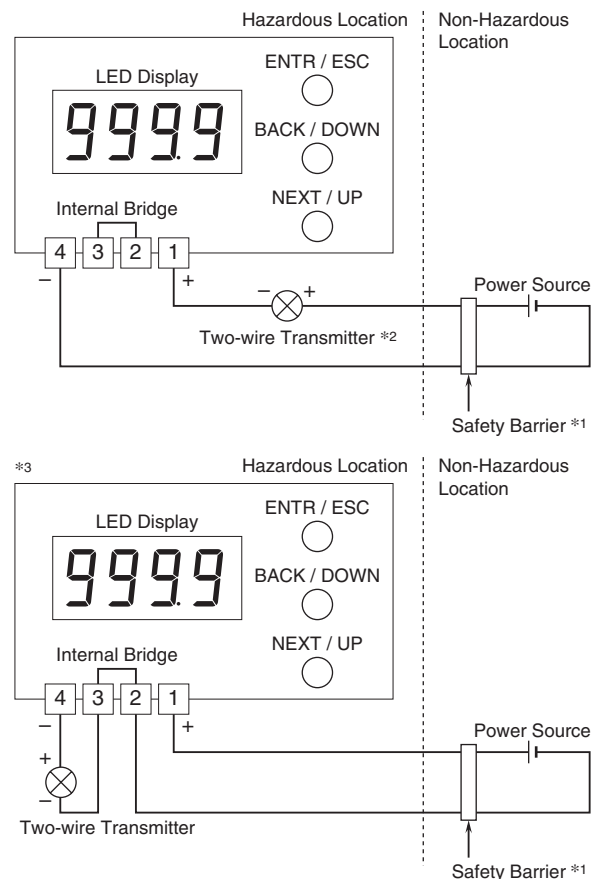


MOUNTING REQUIREMENTS unit: mm (inch)



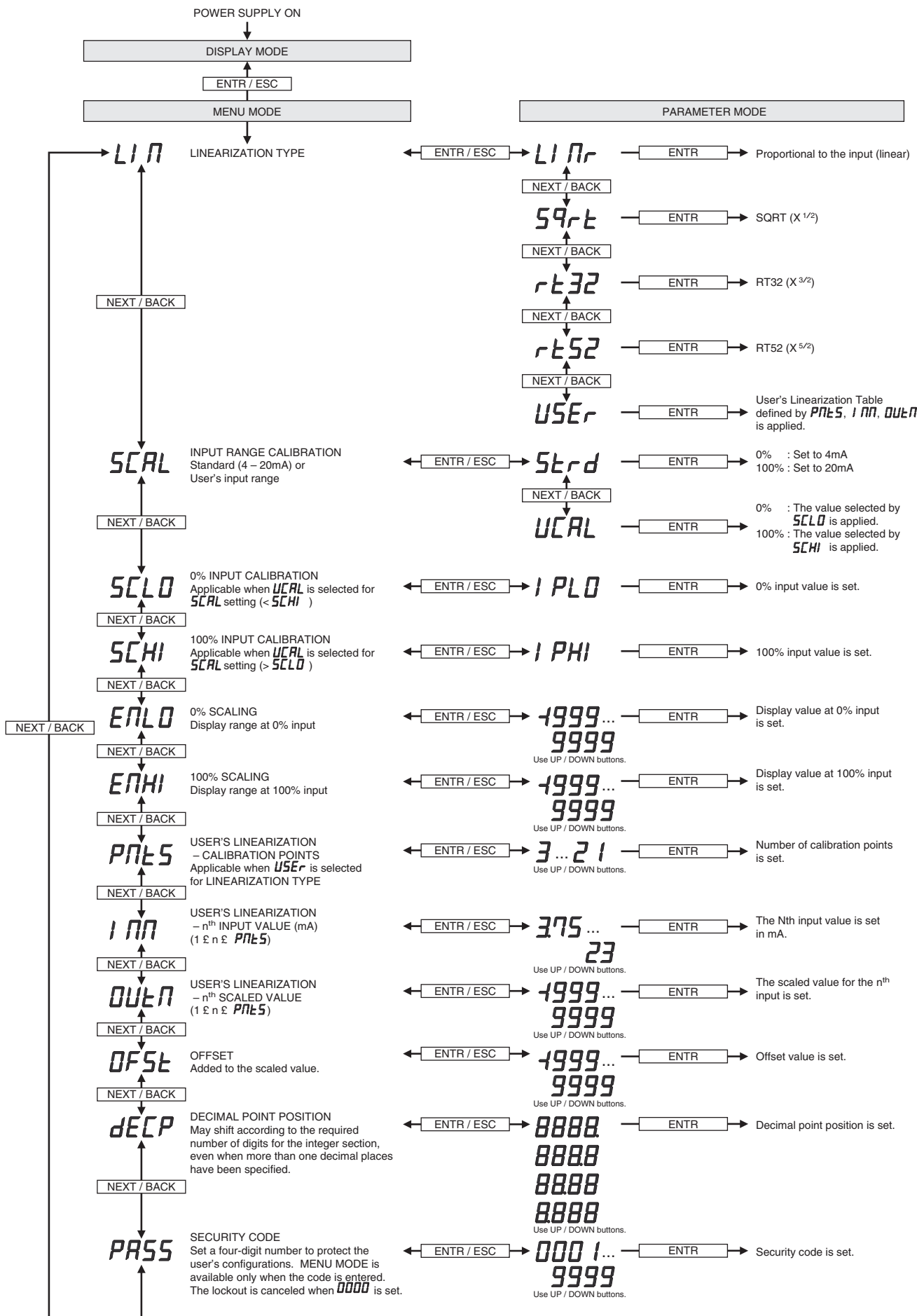
CONNECTION DIAGRAM

For use in potentially explosive atmosphere or in hazardous (classified) locations, please follow instructions in 'SAFE INSTALLATION MANUAL' provided separately for each type of certification.



- *1. A safety barrier must be installed for the intrinsic safety. The safety barrier must meet the Ex-data of this unit and must be approved for the hazardous location.
- *2. In order to use a two-wire transmitter in the TIIS intrinsically safe circuit, the combination of the FXE with the transmitter must be re-evaluated and approved by the TIIS.
- *3. This connection diagram is not applicable for the TIIS intrinsic safety.

PROGRAMMING PROCEDURE



LED DISPLAY

■ DISPLAY DIGITS

The decimal point position may shift according to the required number of digits for the integer section, even when more than one decimal places have been specified.

However, when the number of decimal places is set to 3, the '0' in the integer section is not shown in order to secure the number of effective digits, as explained in the table below.

The '0' is displayed when the number of decimal places is set to 2, though the number of effective digits in this case is reduced by 1 digit compared from the 3 decimal places.





Select appropriately for the application. Refer to 'Programming Procedure' for how to choose decimal point positions.

DECIMAL	VALUE	DATA DISPLAY
3	-1.000 thr. -1.999	<i>-000 ... -999</i>
	-0.001 thr. -0.999	<i>-001 ... -999</i>
2	-1.00 thr. -1.99	<i>- 00 ... - 99</i>
	-0.01 thr. -0.99	<i>-001 ... -999</i>

■ ERROR INDICATION

The data display blinks when an abnormality is detected. The unit display backlight also blinks.

When the setting error or the security code error occurs, press ESCAPE key once to cancel the error status and proceed to set again.

ERROR TYPE	DATA DISPLAY
Over-scale	
Under-scale	
Setting error	
Security code error	



Specifications are subject to change without notice.



Fuji Electric France S.A.S.

46, Rue Georges Besse - Z I du Brézet - 63 039 Clermont-Ferrand cedex 2 FRANCE

France : Tél. 04 73 98 26 98 - Fax 04 73 98 26 99 - International : Tél. (33) 4 7398 2698 - Fax. (33) 4 7398 2699

E-mail : sales.dpt@fujielectric.fr – WEB : www.fujielectric.fr