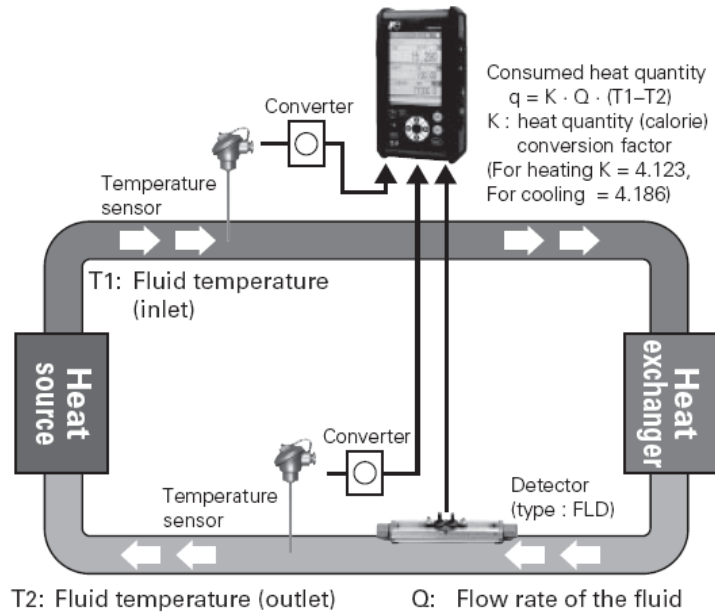
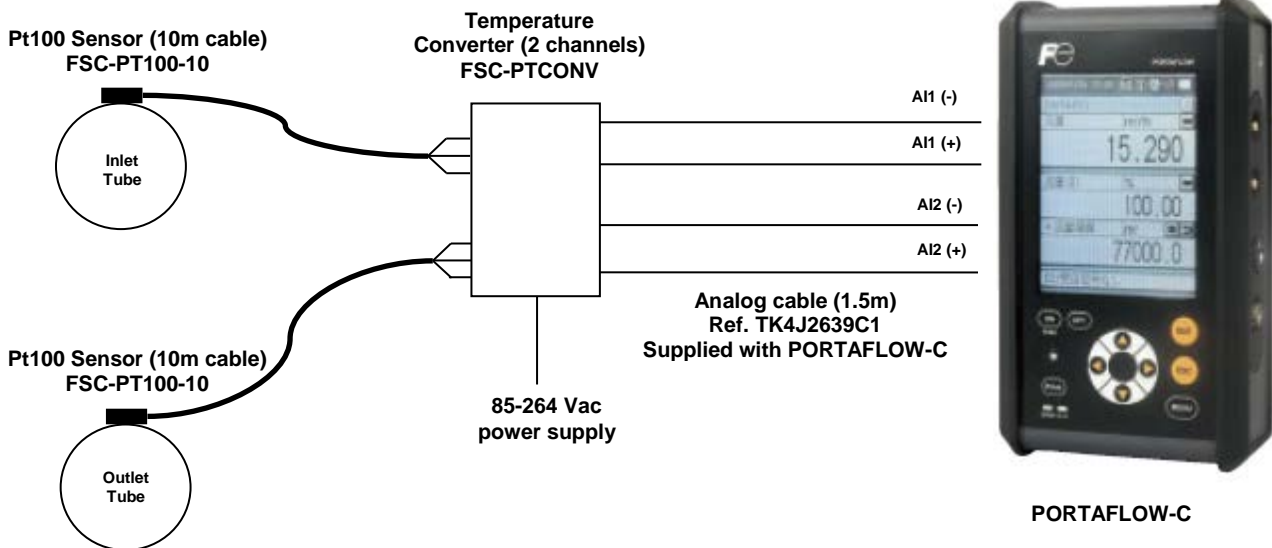
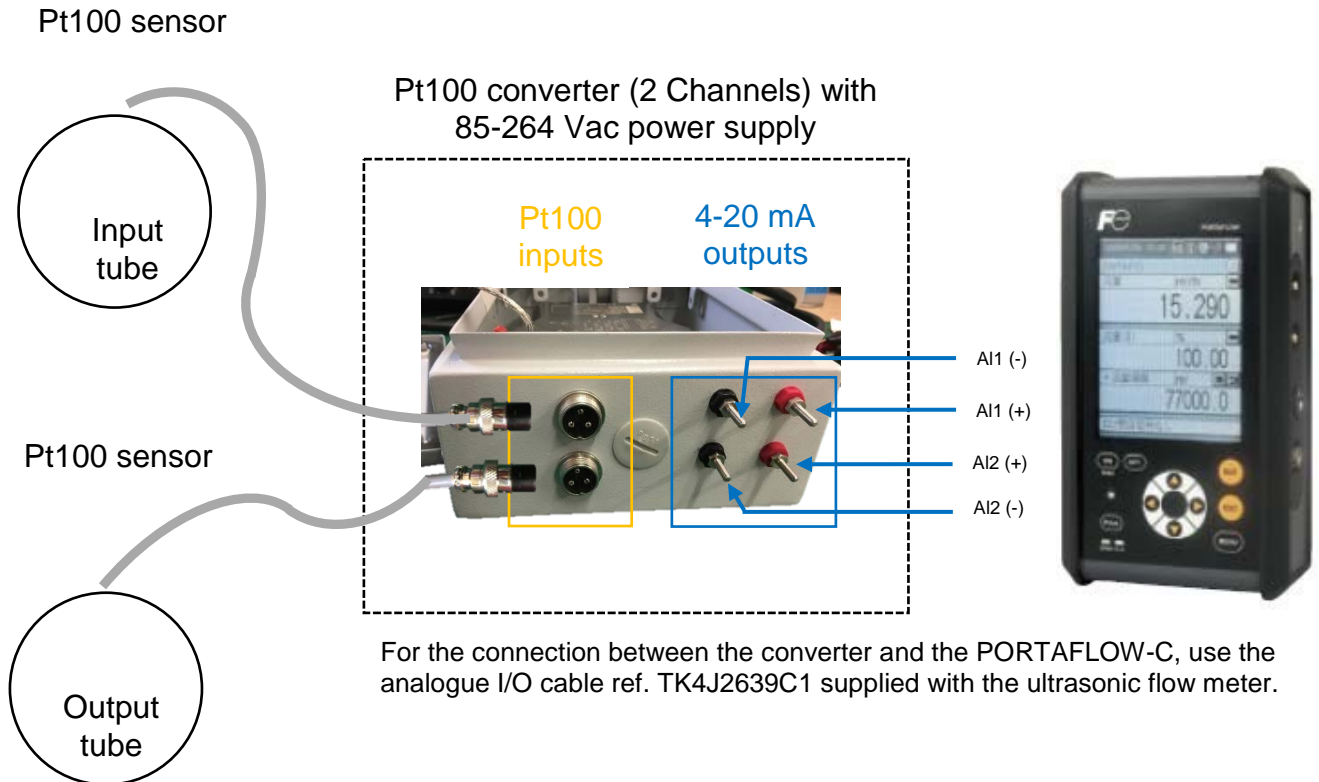
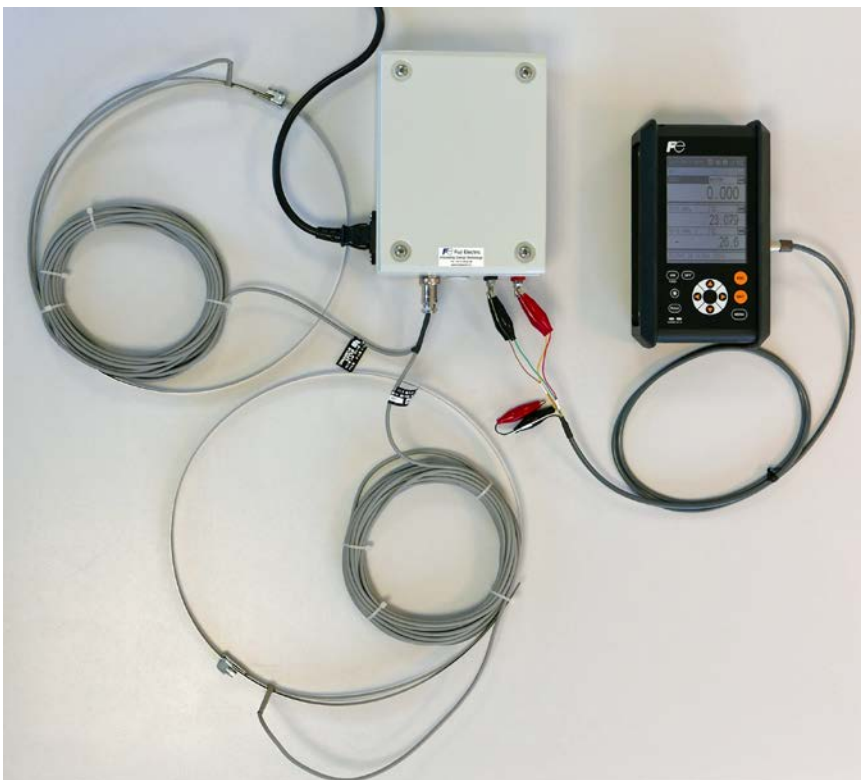


Application:
Heat quantity measurement –

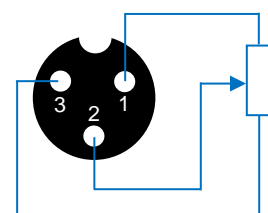
This function calculates the heat quantity received and sent with liquid (water) in cooling and heating. Two 4-20mA inputs are available for temperature measurements.


Connection diagram:

Optional items to order :

- 2x Pt100 Sensor (10m cable) ref. FSC-PT100-10
- 1x Temperature Converter (2 channels) ref. FSC-PTCONV

Connection diagram :

Sensor cable (Pt100 sensor to converter):


Pt100 temperature contact sensor
A female connector is mounted on the cable. In the case where the customer uses his own probes, two connectors are provided with the converter

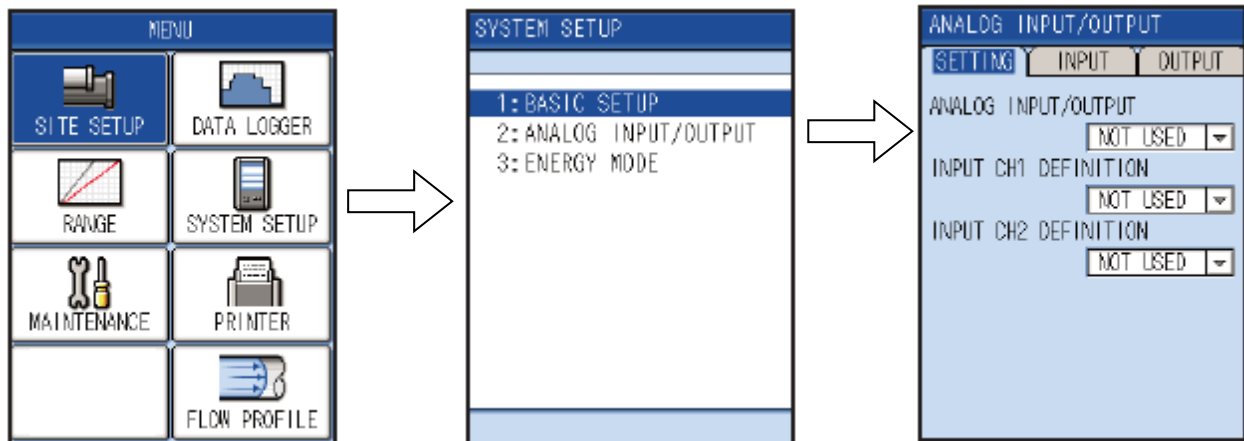


Configuration of Portaflow-C:
1- Configuration of analogue inputs,

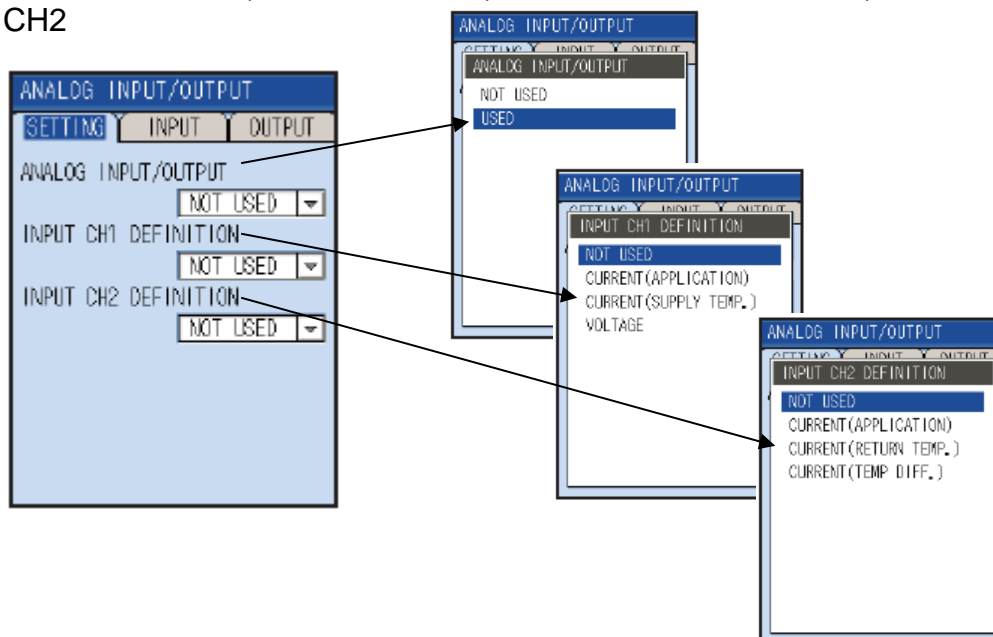
- Plugs the analogue cable on the AI/AO connector of Portaflow-C,



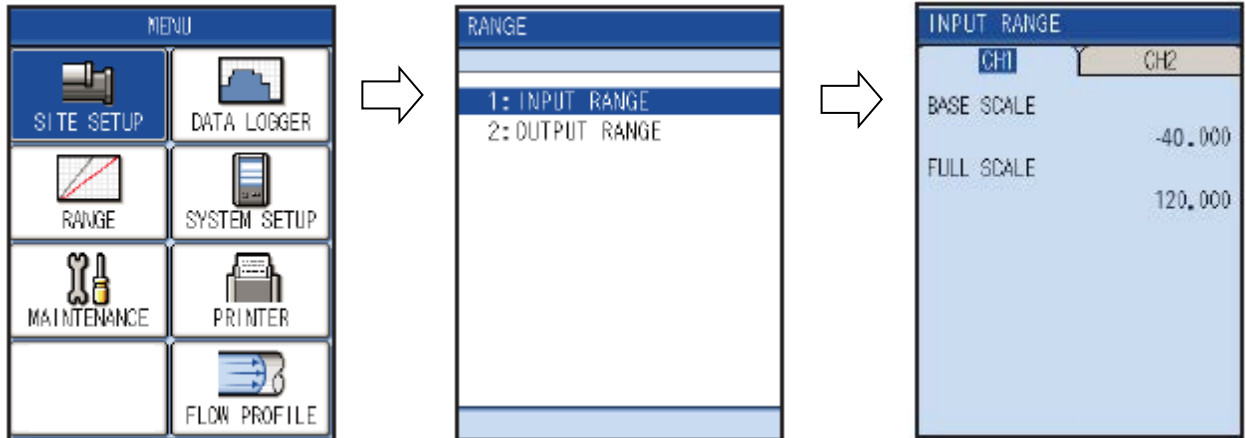
- Select "SYSTEM SETUP" menu and then "ANALOG INPUT/OUTPUT" menu



- Configure 'ANALOG INPUT/OUTPUT' with 'USED' option and 'INPUT CH_ DEFINITION' with 'CURRENT (SUPPLY TEMP.)' for CH1 and 'CURRENT (RETURN SUPPLY)' for CH2



- Select "RANGE" menu and then "1: INPUT RANGE" menu,



Configure -40°C for base and 120°C for full scale of CH1 and CH2 in the Portaflo-C.

For all other information concerning the configuration of Portaflo-C, please read the instruction manual supplied with the flowmeter.

Fuji Electric France S.A.S.

46, Rue Georges Besse – ZI du Brézet
63039 Clermont-Ferrand cedex 2 – France
France : Tél. 04 73 98 26 98 – Fax : 04 73 98 26 99
International : Tél. (33) 4 73 98 26 98 – Fax : (33) 4 73 98 26 99
Email : sales.dpt@fujielectric.fr – Web : www.fujielectric.fr

Fuji Electric can accept no responsibility for possible errors in catalogues, brochures and other printed material. Fuji Electric reserves the right to alter its products without notice. This also applies to products already on order provided that such alterations can be made without sub sequential changes being necessary in specifications already agreed. All trademarks in this material are property of the respective companies. All rights reserved.